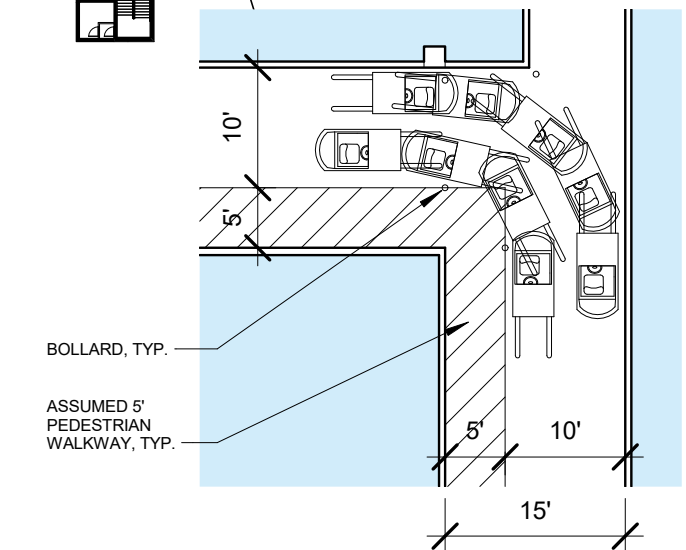
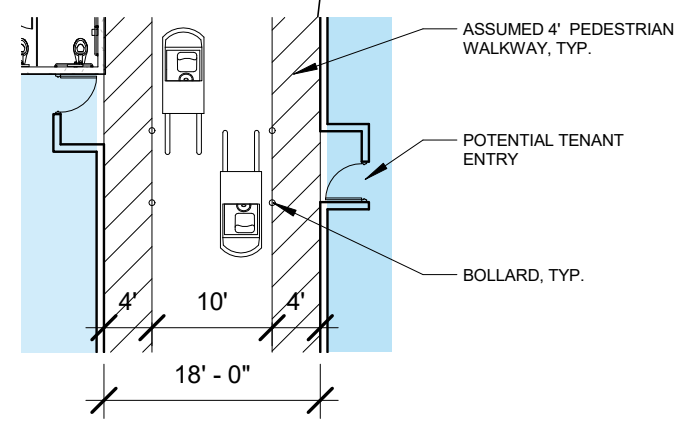


LOCATION OF OFFICE WITHIN TENANT SPACE IS FLEXIBLE.



LEVEL THREE
180,255 SF
(HYPOTHETICAL DEMISING PLAN)

